

4

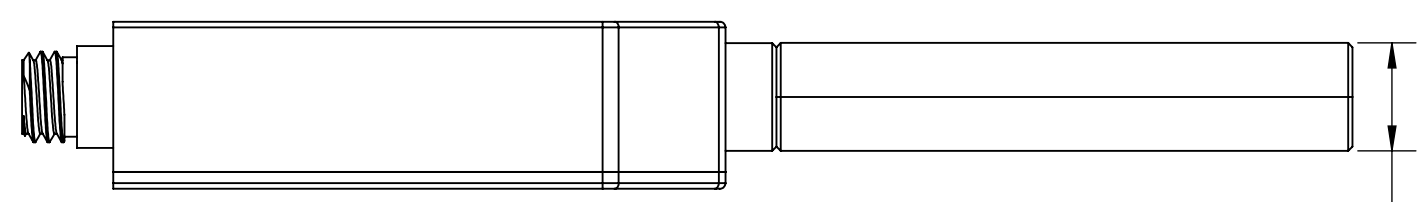
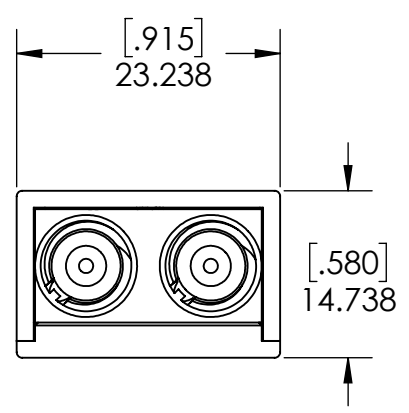
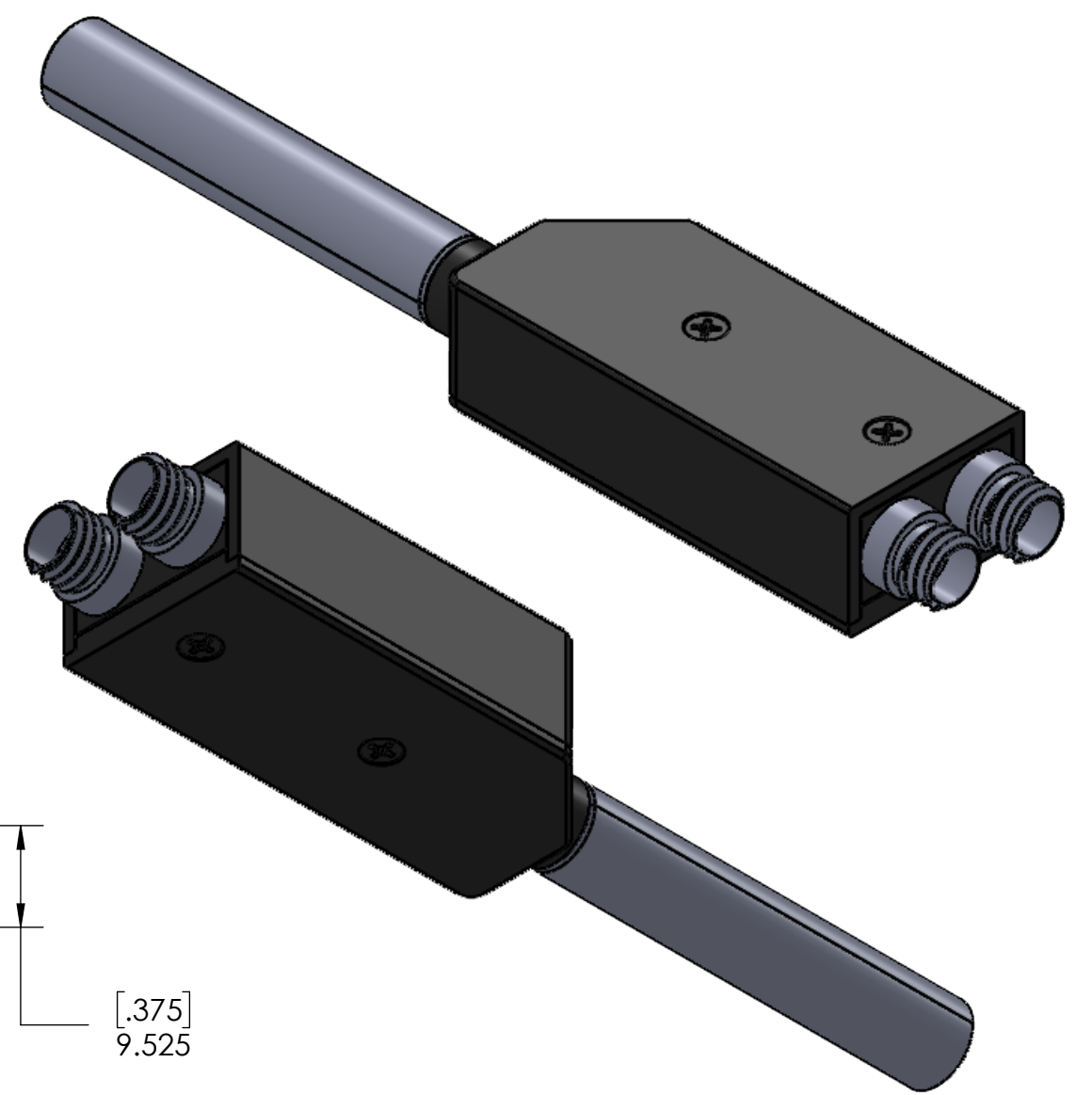
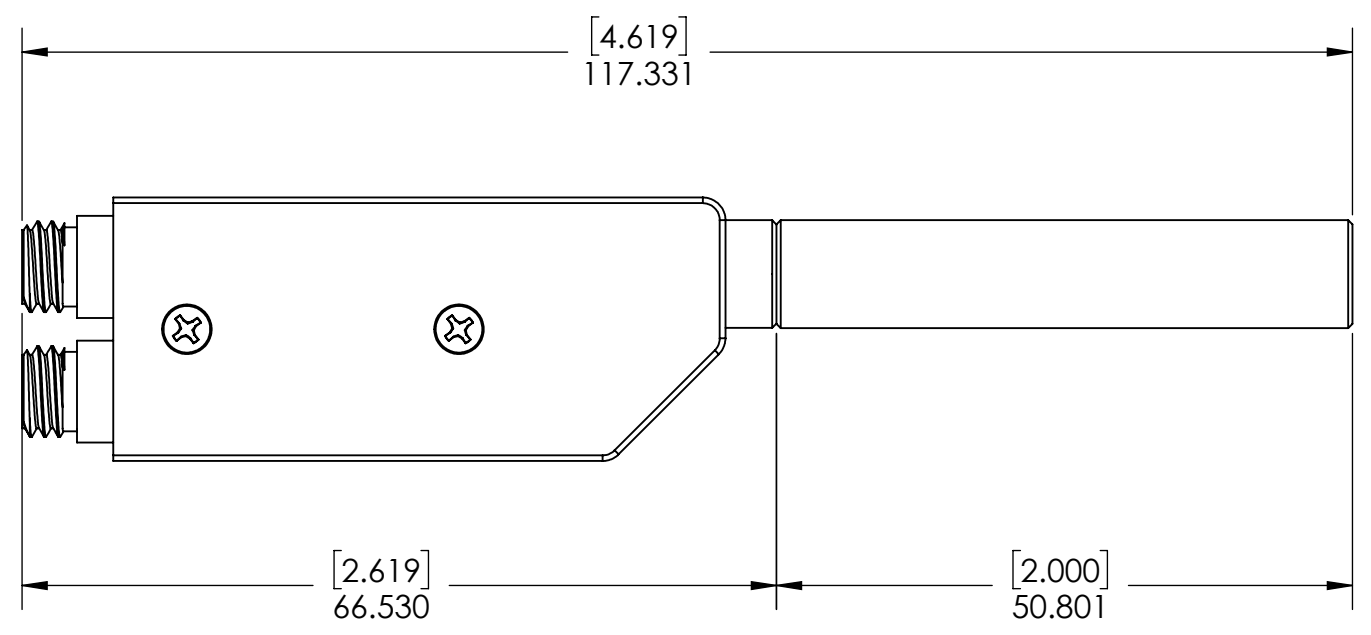
3

2

1

B

B



$[\.375]$
9.525

A

A

NOTES:
1. DIMENSIONS IN BRACKETS ARE IN INCHES

4

3

2

1